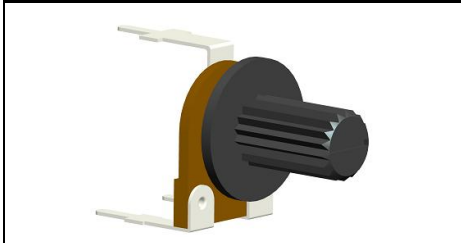




11mm Carbon Semi-Fixed Potentiometer

114S

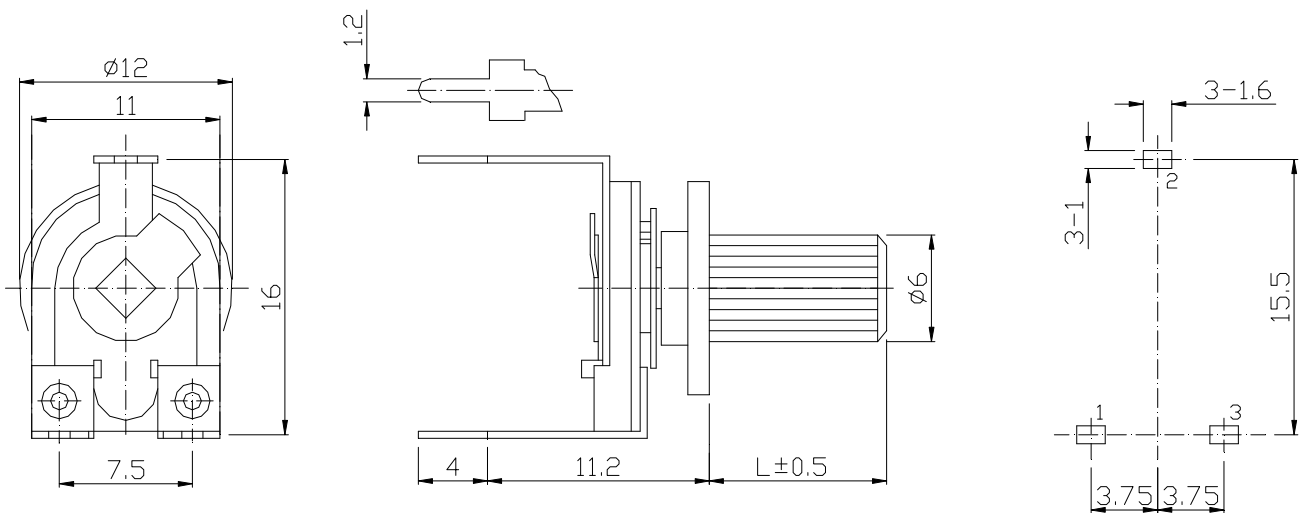


Part Number

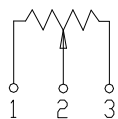
114S – 50K

↓
Resistance value

Dimensions



CIRCUIT



L	10	15
----------	-----------	-----------

**11mm Carbon Semi-Fixed Potentiometer****General**

Operating temperature	-20°C ~ +85 °C
Soldering conditions	260°C 3±1 seconds

Electrical Characteristics

Total resistance	500Ω ~ 5MΩ
Resistance tolerance	±20% 500Ω or 500KΩ : ±30%
Resistance taper	B
Residual resistance	Term1-2: Less than 20Ω or <1% Term2-3: Less than 20Ω or <1%
Rated power(W)	0.15W
Max. Operating voltage	AC 200V
Insulation resistance	More than 100 MΩ at DC 500 V
Withstand voltage	1 Minute at AC 500V
Rotation Noise	150mV Max.
Resistance temperation coefficient	850 ppm/°C

Mechanical Characteristics

Total rotational angle	270°±10°
Rotational torque	40 ~ 250 gf.cm
Rotational stopper strength	0.5 Kgf-cm
Rotational life	1000 Cycles.