



C3305 - 3mm SMT Trimmer Potentiometer



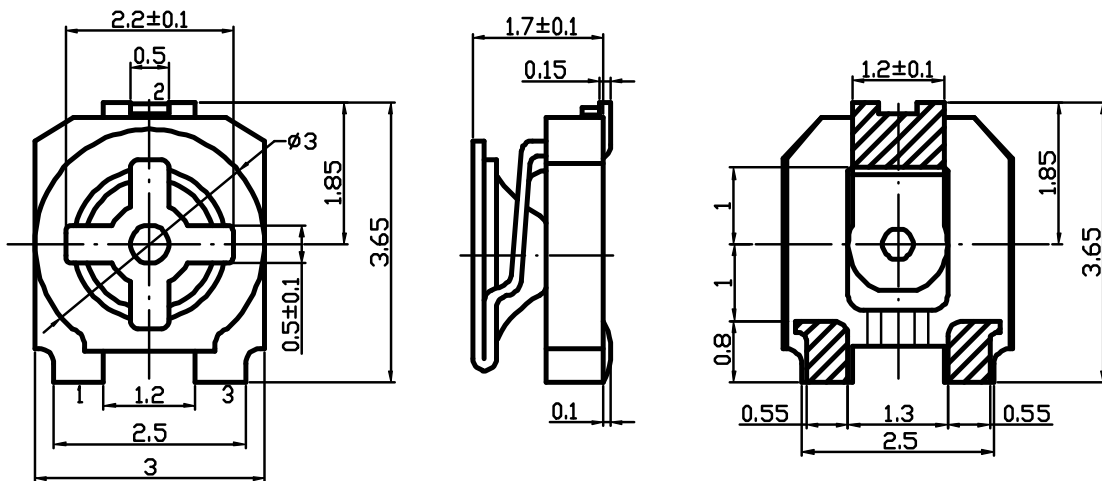
Part Number

C3305 - B 50K

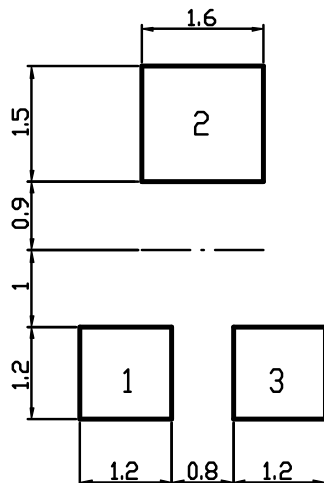
Taper

Resistance value

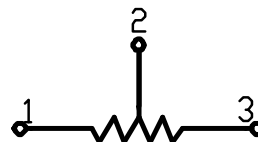
Dimensions



PCB LAYOUT



CIRCUIT



**C3305 - 3mm SMT Trimmer Potentiometer****General**

Operating temperature	-55 °C ~ +125 °C
Soldering conditions	260±5°C Within 5 seconds

Electrical Characteristics

Total resistance	100Ω ~ 2.2MΩ
Resistance tolerance	100Ω ~ 2.2MΩ : ±25%
Resistance taper	B
Residual resistance	R ≤ 1KΩ : ≤ 20Ω R > 1KΩ : Less than 2% of total resistance value
Rated power(W)	0.1W
Max. Operating voltage	AC 20V / DC 20V
Contact resistance variation	5% Max

Mechanical Characteristics

Total rotational angle	360° (No Stopper)
Effective electrical angle	250°±20°
Rotational torque	10 ~ 200 gf.cm
Rotational life	20±2 Cycles.
Standard packaging	2000 pcs