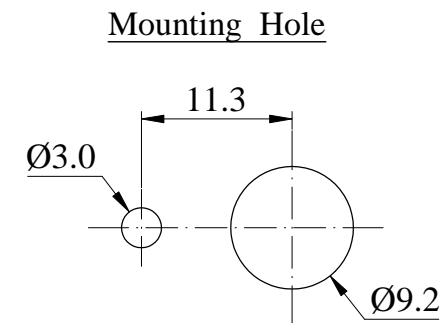
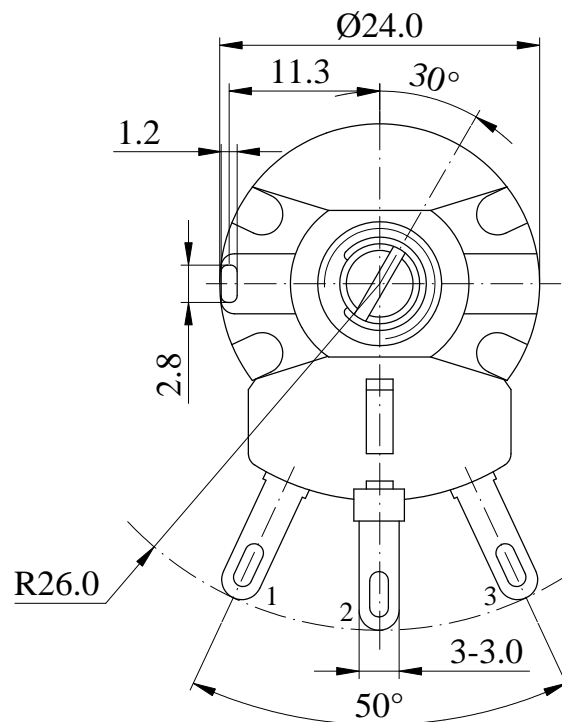
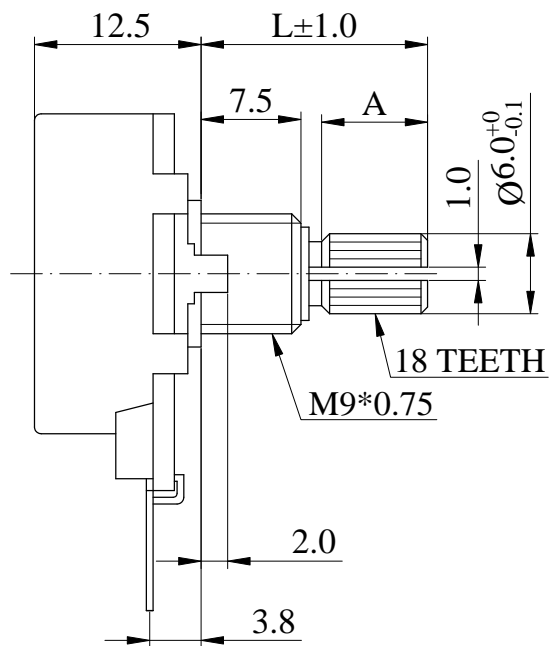




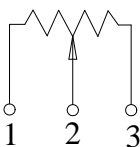
ISO 9001 國際品質認證  
ISO 9001 CERTIFICATE

松暉電機工業股份有限公司  
SONG HUEI ELECTRIC CO., LTD.  
佛山市松暉電機科技有限公司  
FOSHAN SONG HUEI ELECTRIC CO., LTD.

一般事項 General	
使用溫度範圍 Operating temperature	-10 °C ~ +70 °C
手工焊接 Manual soldering	300 °C max 3 sec
電氣特性 Electrical Characteristics	
總阻值 (R) Total resistance	5 Ω ~ 2 KΩ
總阻值容許誤差 Total resistance tolerance	± 20 %
阻值線性 Resistance taper	B Type
殘留阻值 Residual resistance	4 ~ 50 Ω : Less than 0.3 Ω ; 101 ~ 500 Ω : Less than 1 Ω 51 ~ 100 Ω : Less than 0.5 Ω ; 1 K ~ 5 KΩ : Less than 0.2 % Ω
定格電力 Rated power (W)	2 W
額定電壓 Rated voltage (V)	$E = \sqrt{P * R}$ E: Rated voltage 額定電壓 (V) P: Power rating 額定電力 (W) R: Nominal total resistance 公稱全阻抗值 (Ω) 當額定電壓超過最高使用電壓的時候，最高使用電壓即為額定電壓。 When the rated voltage exceeds the maximum operating voltage, the maximum operating voltage shall be the rated voltage.
絕緣阻抗 Insulation resistance	Over 100 MΩ with DC 500 V
耐電壓 Withstand voltage	1 minute against 50 HZ 500 V
機械特性 Mechanical Characteristics	
全回轉角度 Total rotational angle	300 ° ± 5 °
全回扭力 Rotational torque	50 ~ 300 gf.cm
螺帽止強度 Nut fastening strength	6 Kgf.cm max
軸推拉強度 Shaft push-pull strength	1 Kgf max
回轉壽命 Rotational life	15,000 cycles



CIRCUIT



SHAFT SHOWN IN FULL C.C.W POSITION

				Non notation tolerance	
L=	14			< 10	±0.3
A=	6			10 ~ 100	±0.5
choose				> 100	±0.8

**S**® SONG HUEI ELECTRIC CO., LTD.  
FOSHAN SONG HUEI ELECTRIC CO., LTD.

MODEL: PW24(KC)/LAL/0053

④			
③			
②			
①	整理图元	何鸿根	2019.01.08
ISSUE	SUBJECT	NAME	DATE

Approval



Checked



Projected



UNIT mm SCALE 2:1

VERSION 1.1 DATE 2012.04.02

DRAWING NO. PW-001



RECORD