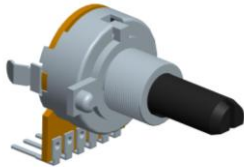




16mm Insulated Shaft Potentiometers

R1613G



Part Number

R1613G – B 10K, L- 20 F

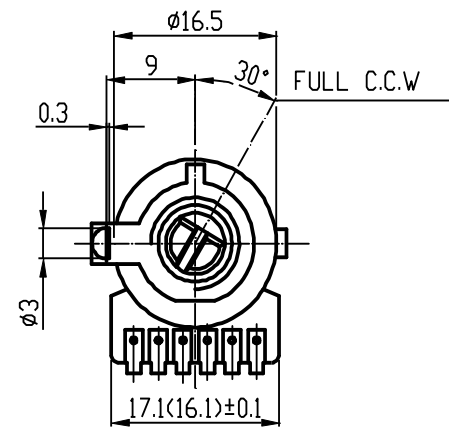
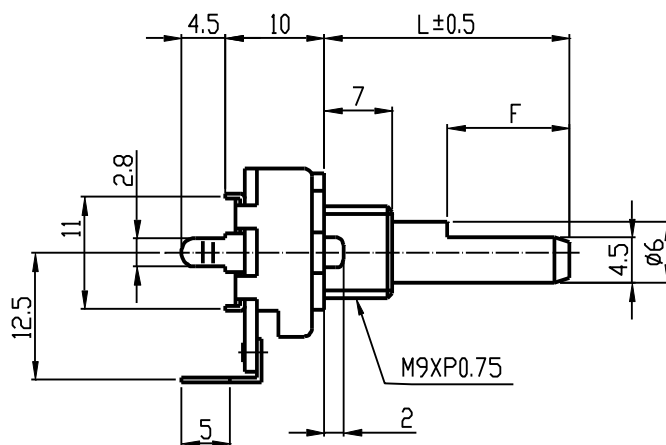
Taper

Shaft Length

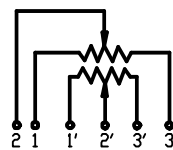
Resistance value

Shaft Type

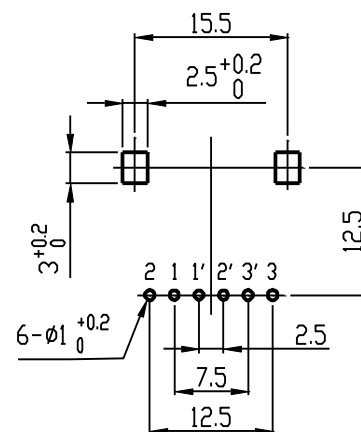
Dimensions



CIRCUIT



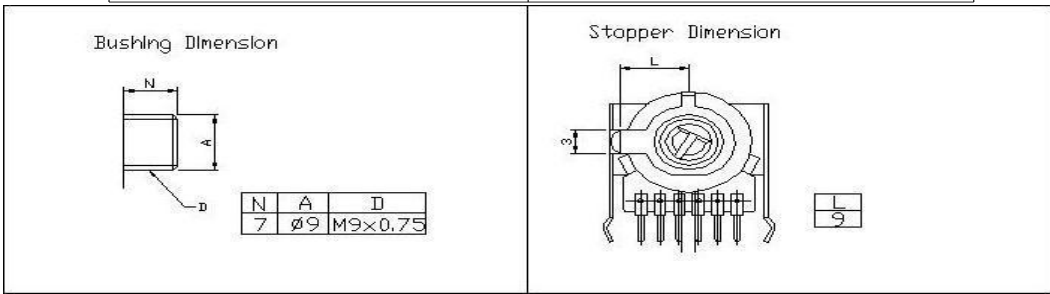
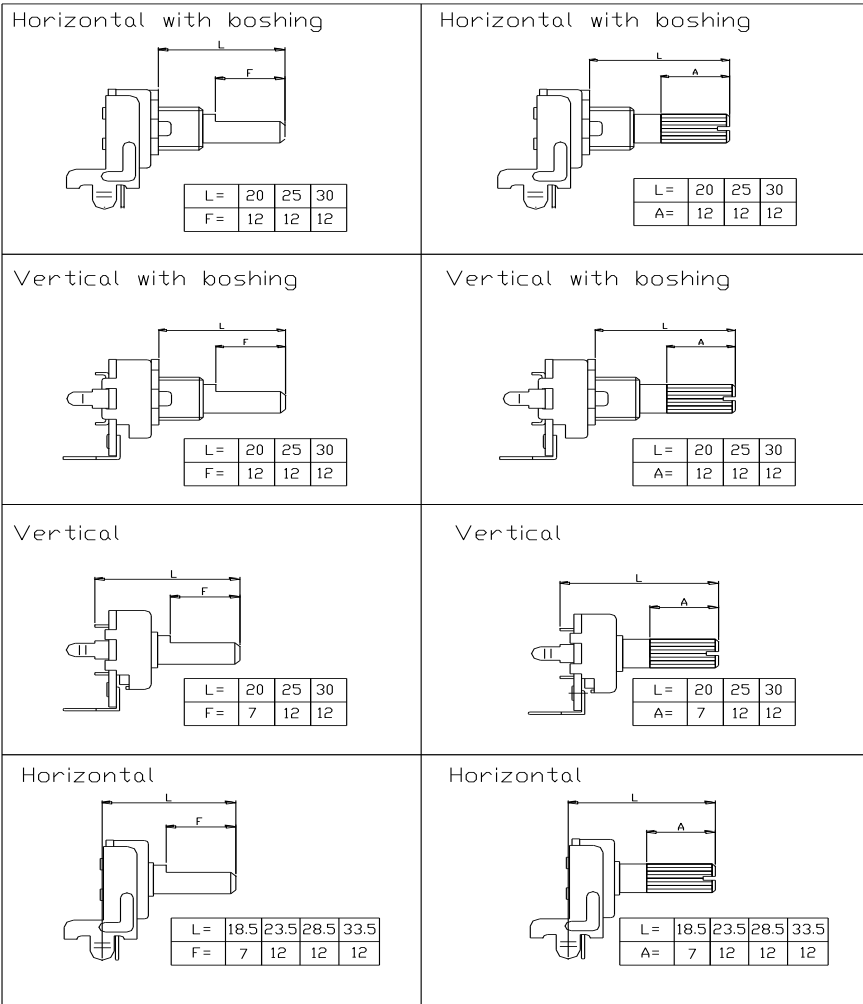
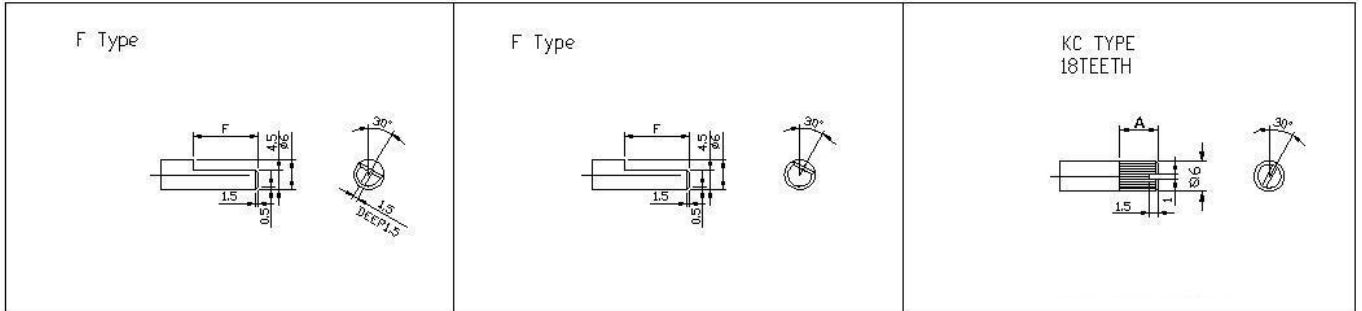
PCB LAYOUT





16mm Insulated Shaft Potentiometers

Shaft Type



**16mm Insulated Shaft Potentiometers****General**

Operating temperature	-10 °C ~ +70 °C
Manual soldering	300 °C Max 3sec

Electrical Characteristics

Total resistance	5KΩ~2MΩ
Resistance tolerance	±20% (more than 1MΩ ±30%)
Resistance taper	A B C D W
Sliding noise	Less than 100 mV
Residual resistance	≤ 20 Ω (R>10K) ≤ 10 Ω (R≤10K)
Insulation resistance	More than 100 MΩ at DC 250 V
Rated power(W)	Linear (B) taper : 0.1 W Other taper : 0.05 W
Max. Operating voltage	Linear (B) taper : AC 100 V Other taper : AC 50 V
Withstand voltage	1 Minute at AC 250 V
Gang error	- 40 dB~0 dB≤3 dB

Mechanical Characteristics

Total rotational angle	300 °±5 °
Rotational torque	30~250 gf.cm
C.C torque	30~300gf.cm
Rotational stopper strength	6 Kgf.cm Max.
Shaft push-pull strength	8 Kgf.cm Max.
Rotational life	15,000 Cycles