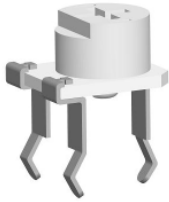




6mm Ceramic Semi-Fixed Potentiometer

TK655MCL



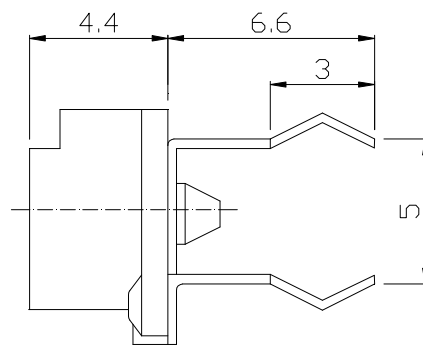
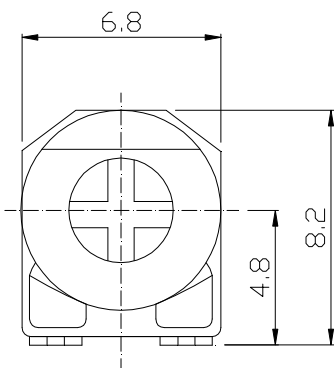
Part Number

TK655MCL – 50K

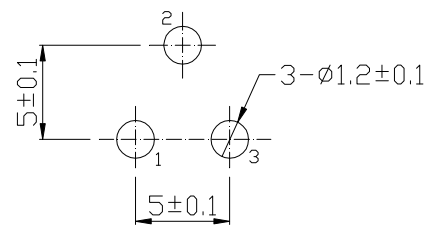
Ceramic

Resistance value

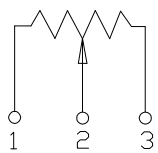
Dimensions



P.C.B. LAYOUT



CIRCUIT



**6mm Ceramic Semi-Fixed Potentiometer****General**

Operating temperature	-30°C ~ +85°C
Soldering conditions	260~290°C Within 2 seconds

Electrical Characteristics

Total resistance	100Ω ~ 1MΩ
Resistance tolerance	±20%
Resistance taper	B
Residual resistance	R ≤ 500Ω : ≤ 10Ω max R > 500Ω : Less than 2% of total resistance value
Rated power(W)	0.3W
Max. Operating voltage	DC 100V
Contact resistance variation	6% Max

Mechanical Characteristics

Total rotational angle	240°±20°
Rotational torque	30 ~ 300 gf.cm
Rotational stopper strength	0.3 Kgf-cm
Rotational life	50±5 Cycles.