



8mm Ceramic Trimmer Potentiometer

TK855MC



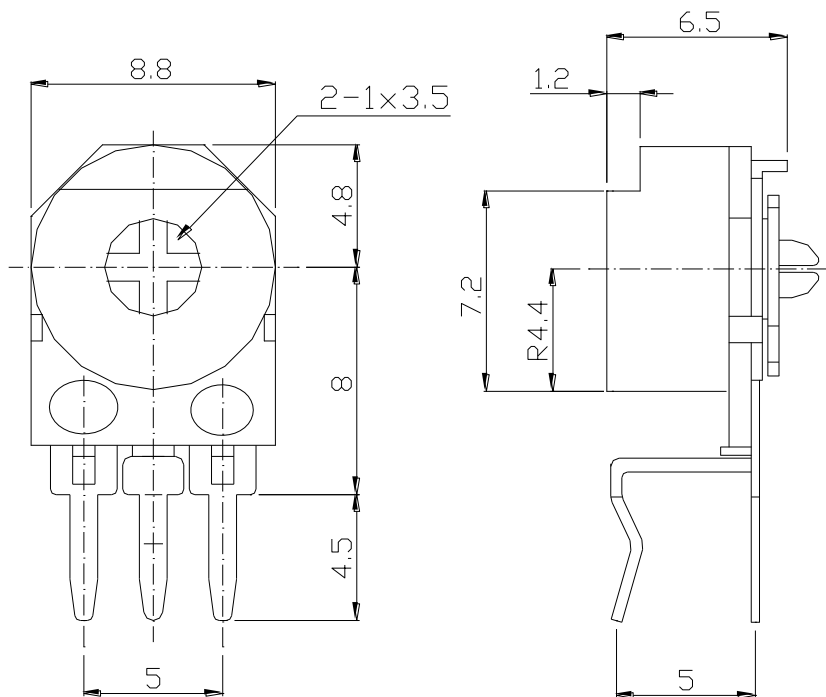
Part Number

TK855MC – 50K

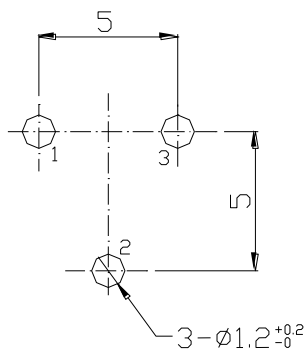
Ceramic

Resistance value

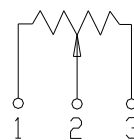
Dimensions



P.C.B LAYOUT



CIRCUIT



**8mm Ceramic Trimmer Potentiometer****General**

Operating temperature	-30°C ~ +100°C
Soldering conditions	260~290°C Within 2 seconds

Electrical Characteristics

Total resistance	100Ω ~ 1MΩ
Resistance tolerance	±20%(<500Ω , >1M±30%)
Resistance taper	B
Residual resistance	R ≤ 500Ω : ≤ 10Ω max R > 500Ω : Less than 2% of total resistance value
Rated power(W)	0.5W
Max. Operating voltage	DC 250V
Contact resistance variation	6% Max

Mechanical Characteristics

Total rotational angle	270°±15°
Rotational torque	50 ~ 350 gf.cm
Rotational stopper strength	0.8 Kgf.cm Max
Rotational life	50±5 Cycles.