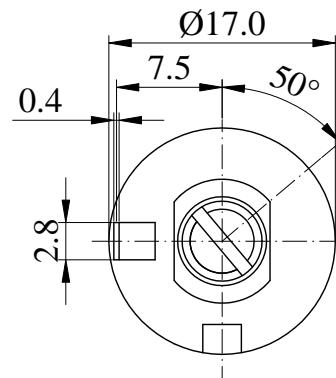
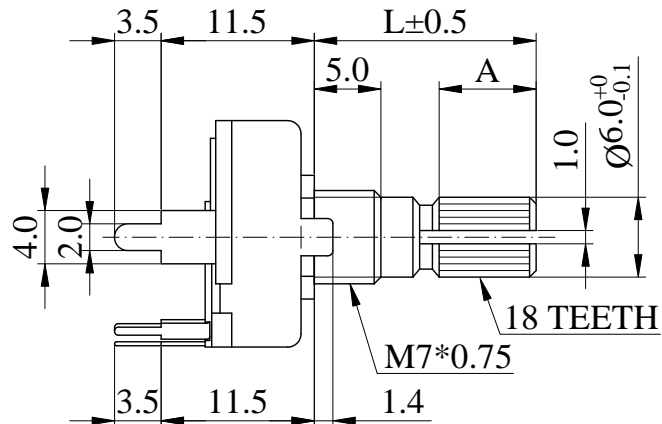
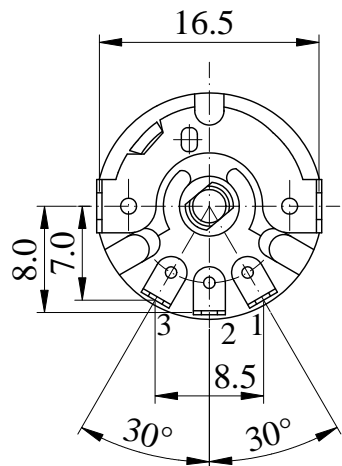




ISO 9001 國際品質認證  
ISO 9001 CERTIFICATE

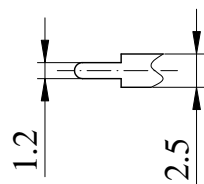
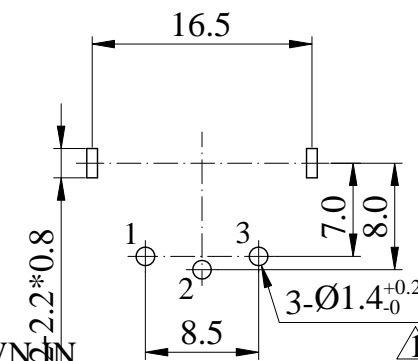
松暉電機工業股份有限公司  
SONG HUEI ELECTRIC CO., LTD.  
佛山市松暉電機科技有限公司  
FOSHAN SONG HUEI ELECTRIC CO., LTD.

一般事項 General	
使用溫度範圍 Operating temperature	-10 °C ~ +70 °C
手工焊接 Manual soldering	300 °C max 3 sec
電氣特性 Electrical Characteristics	
總阻值 (R) Total resistance	500 Ω ~ 2 MΩ
總阻值容許誤差 Total resistance tolerance	± 20 % ( More than 1 MΩ ± 30 % )
阻值線性 Resistance taper	<input type="checkbox"/> A <input type="checkbox"/> B <input type="checkbox"/> C <input type="checkbox"/> W
摺動雜音 Sliding noise	Less than 47 mV ( Taper A / C: 100 mV )
殘留阻值 Residual resistance	Less than 10 Ω
定格電力 Rated power (W)	Linear (B) taper: 0.1 W Other tapers: 0.05 W
額定電壓 Rated voltage (V)	$E = \sqrt{P * R}$ E: Rated voltage 額定電壓 (V) P: Power rating 額定電力 (W) R: Nominal total resistance 公稱全阻抗值 (Ω) 當額定電壓超過最高使用電壓的時候，最高使用電壓即為額定電壓。 When the rated voltage exceeds the maximum operating voltage, the maximum operating voltage shall be the rated voltage.
最高使用電壓 Max operating voltage	Linear (B) taper: AC 200 V Other tapers: AC 150 V
絕緣阻抗 Insulation resistance	More than 100 MΩ at DC 500 V
耐電壓 Withstand voltage	1 minute at AC 500 V
機械特性 Mechanical Characteristics	
全回轉角度 Total rotational angle	260 ° ± 10 °
全回扭力 Rotational torque	30 ~ 200 gf.cm
全回轉止強度 Rotational stopper strength	3 Kgf.cm max
軸推拉強度 Shaft push-pull strength	8 Kgf max
回轉壽命 Rotational life	15,000 cycles

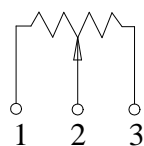


SHAFT SHOWN IN  
FULL C.C.W POSITION

Mounting Hole



CIRCUIT



Non notation tolerance

L=	10	15	20	25	30		< 10	±0.3
A=	3	6	10	12	12		10 ~ 100	±0.5
Choose							> 100	±0.8



SONG HUEI ELECTRIC CO., LTD.  
FOSHAN SONG HUEI ELECTRIC CO., LTD.

MODEL: 17N4(KC)/LAL/0426

Approval



Checked



Projected



UNIT

mm

SCALE

2:1

VERSION

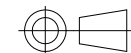
1.2

DATE

2014.03.14

DRAWING NO.

R17-035



ISSUE

图元整理

增加公差<sup>+0.2</sup><sub>-0</sub>

SUBJECT

何鴻根

邝俊华

NAME

2018. 12. 28

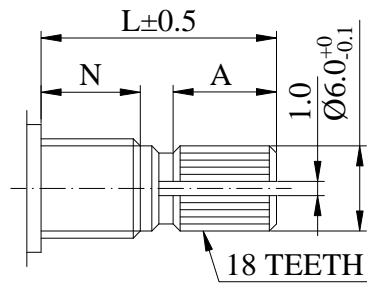
2016. 6. 16

DATE

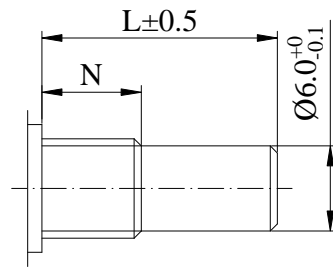
RECORD

# Shaft Types 軸型:

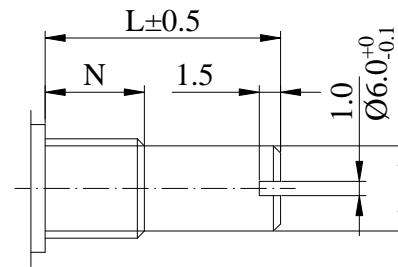
KC-Type



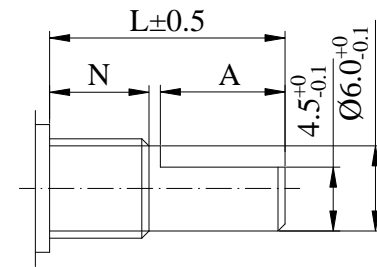
R-Type



RE-Type



F-Type



N=5mm										
Shaft Type	L	10	12	15	17	20	25	30	35	40
KC	A	3.2	-	6	8	12	12	12	12	12
	M	0.5	-	1	1	2	2	4	4	4
F	F	4	4	7	7	12	12	12	12	12
R,RE	L	10	-	15	17	20	25	30	35	40