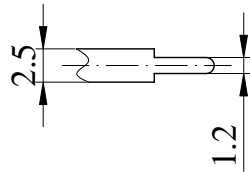
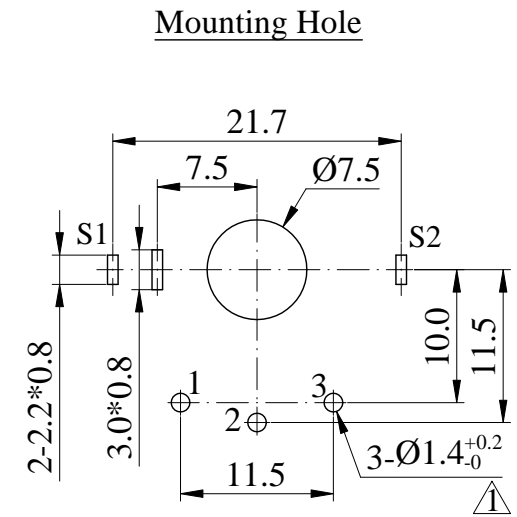
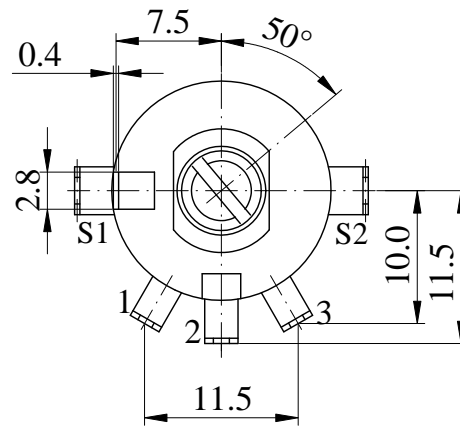
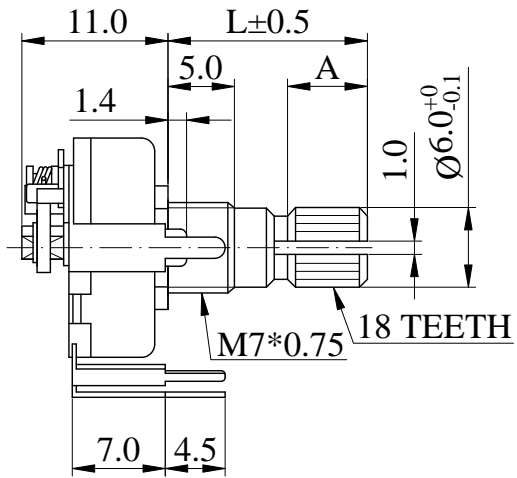
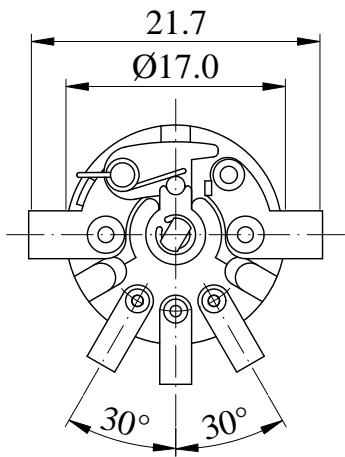




ISO 9001 國際品質認證
ISO 9001 CERTIFICATE

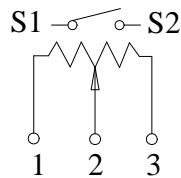
松暉電機工業股份有限公司
SONG HUEI ELECTRIC CO., LTD.
佛山市松暉電機科技有限公司
FOSHAN SONG HUEI ELECTRIC CO., LTD.

一般事項 General	
使用溫度範圍 Operating temperature	-10 °C ~ +70 °C
手工焊接 Manual soldering	300 °C max 3 sec
電氣特性 Electrical Characteristics	
總阻值 (R) Total resistance	500 Ω ~ 2 MΩ
總阻值容許誤差 Total resistance tolerance	± 20 % (More than 1 MΩ ± 30 %)
阻值線性 Resistance taper	<input type="checkbox"/> A <input type="checkbox"/> B <input type="checkbox"/> C <input type="checkbox"/> W
摺動雜音 Sliding noise	Less than 47 mV (Taper A / C: 100 mV)
殘留阻值 Residual resistance	Less than 10 Ω
開關接觸電阻 Switch contact resistance	Less than 50 mΩ
定格電力 Rated power (W)	Linear (B) taper: 0.1 W Other tapers: 0.05 W
開關定格電力 Switch rated power	0.5 A at DC 12 V
額定電壓 Rated voltage (V)	$E = \sqrt{P * R}$ E: Rated voltage 額定電壓 (V) P: Power rating 額定電力 (W) R: Nominal total resistance 公稱全阻抗值 (Ω) 當額定電壓超過最高使用電壓的時候，最高使用電壓即為額定電壓。 When the rated voltage exceeds the maximum operating voltage, the maximum operating voltage shall be the rated voltage.
最高使用電壓 Max operating voltage	Linear (B) taper: AC 200 V Other tapers: AC 150 V
絕緣阻抗 Insulation resistance	More than 100 MΩ at DC 500 V
耐電壓 Withstand voltage	1 minute at AC 500 V
機械特性 Mechanical Characteristics	
全回轉角度 Total rotational angle	260 ° ± 10 ° (開關角度 Switch angle: 40 ° ± 5 °)
全回扭力 Rotational torque	30 ~ 200 gf.cm
開關扭力 Switch action	70 ~ 350 gf.cm
全回轉止強度 Rotational stopper strength	3 Kgf.cm max
軸推拉強度 Shaft push-pull strength	8 Kgf max
回轉壽命 Rotational life	15,000 cycles (開關壽命 Switch life: 10,000 cycles)



SHAFT SHOWN IN FULL C.C.W POSITION

CIRCUIT



							Non notation tolerance	
L=	10	15	20	25	30		< 10	±0.3
A=	3	6	10	12	12		10 ~ 100	±0.5
Choose							> 100	±0.8



SONG HUEI ELECTRIC CO., LTD.
FOSHAN SONG HUEI ELECTRIC CO., LTD.

MODEL: 17S2(KC)/LAL/0426

Approval



Checked



Projected



UNIT

mm

SCALE

2:1

VERSION

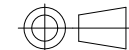
1.3

DATE

2012.09.08

DRAWING NO.

R17-002



图元整理

何鸿根

2018.12.28



取消公差^{+0.2}₋₀

何鸿根

2017.04.10



增加公差^{+0.2}₋₀

邝俊华

2016.4.12

ISSUE

SUBJECT

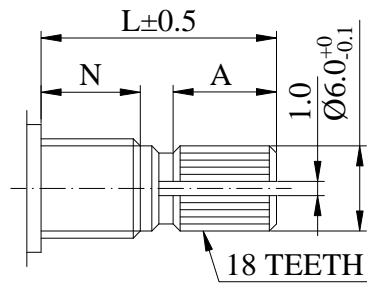
NAME

DATE

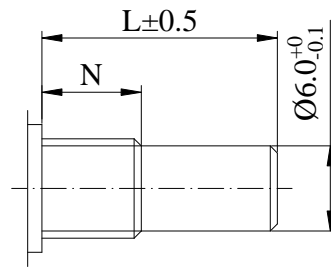
RECORD

Shaft Types 軸型:

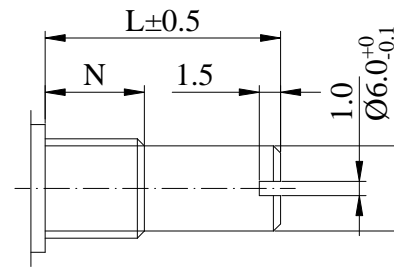
KC-Type



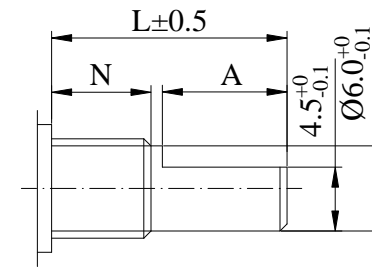
R-Type



RE-Type



F-Type



N=5mm										
Shaft Type	L	10	12	15	17	20	25	30	35	40
KC	A	3.2	-	6	8	12	12	12	12	12
	M	0.5	-	1	1	2	2	4	4	4
F	F	4	4	7	7	12	12	12	12	12
R,RE	L	10	-	15	17	20	25	30	35	40