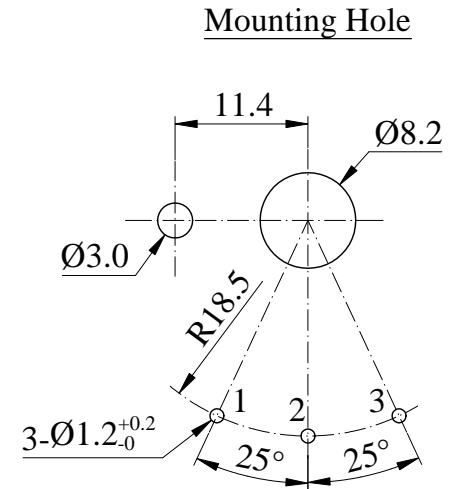
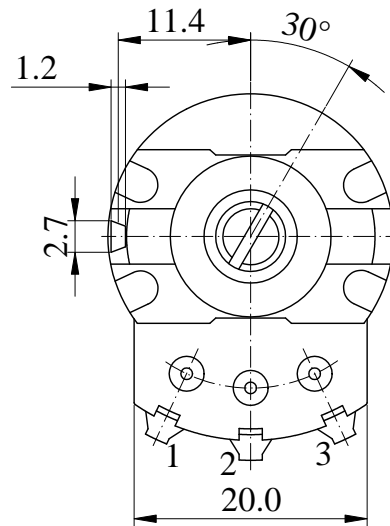
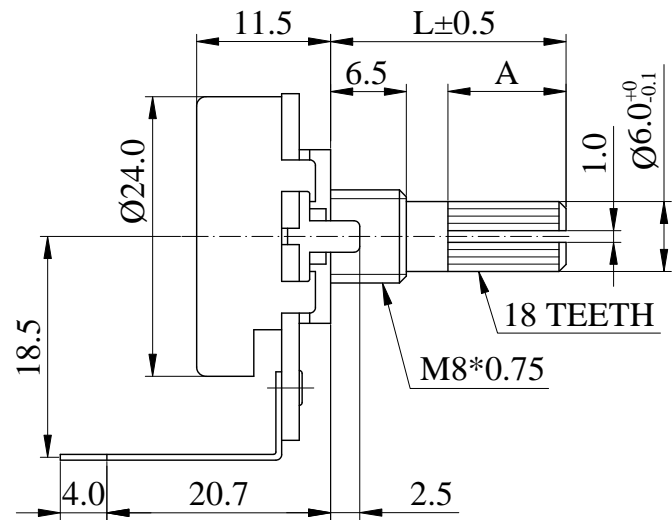




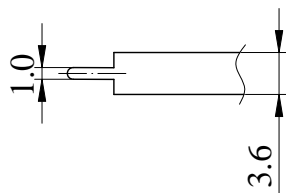
ISO 9001 國際品質認證
ISO 9001 CERTIFICATE

松暉電機工業股份有限公司
SONG HUEI ELECTRIC CO., LTD.
佛山市松暉電機科技有限公司
FOSHAN SONG HUEI ELECTRIC CO., LTD.

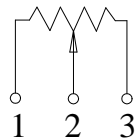
| 一般事項 General | |
|---------------------------------------|---|
| 使用溫度範圍 Operating temperature | -10 °C ~ +70 °C |
| 手工焊接 Manual soldering | 300 °C max 3 sec |
| 電氣特性 Electrical Characteristics | |
| 總阻值 (R) Total resistance | 1 KΩ ~ 1 MΩ |
| 總阻值容許誤差 Total resistance tolerance | ± 20 % (More than 1 MΩ ± 30 %) |
| 阻值線性 Resistance taper | <input type="checkbox"/> A <input type="checkbox"/> B <input type="checkbox"/> C <input type="checkbox"/> D <input type="checkbox"/> W |
| 摺動雜音 Sliding noise | Less than 47 mV (Taper A / C 500 KΩ ↑ : 80 mV) |
| 殘留阻值 Residual resistance | Less than 20 Ω |
| 定格電力 Rated power (W) | Linear (B) taper: 0.5 W Other tapers: 0.25 W |
| 額定電壓 Rated voltage (V) | $E = \sqrt{P * R}$ E: Rated voltage 額定電壓 (V) P: Power rating 額定電力 (W) R: Nominal total resistance 公稱全阻抗值 (Ω) 當額定電壓超過最高使用電壓的時候，最高使用電壓即為額定電壓。 When the rated voltage exceeds the maximum operating voltage, the maximum operating voltage shall be the rated voltage. |
| 最高使用電壓 Max operating voltage | Linear (B) taper: AC 500 V Other tapers: AC 250 V |
| 絕緣阻抗 Insulation resistance | More than 100 MΩ at DC 500 V |
| 耐電壓 Withstand voltage | 1 minute at AC 500 V |
| 機械特性 Mechanical Characteristics | |
| 全回轉角度 Total rotational angle | 300 ° ± 10 ° |
| 全回扭力 Rotational torque | 30 ~ 200 gf.cm |
| 全回轉止強度 Rotational stopper strength | 5 Kgf.cm max |
| 軸推拉強度 Shaft push-pull strength | 7 Kgf max |
| 回轉壽命 Rotational life | 15,000 cycles |



SHAFT SHOWN IN FULL C.C.W POSITION



CIRCUIT



Non notation tolerance

| | | | | | | | | |
|--------|-----|-----|-----|------|------|--|----------|------|
| L= | 12 | 15 | 17 | 20 | 25 | | < 10 | ±0.3 |
| A= | 3.5 | 6.5 | 8.5 | 11.5 | 16.5 | | 10 ~ 100 | ±0.5 |
| choose | | | | | | | > 100 | ±0.8 |



SONG HUEI ELECTRIC CO., LTD.
FOSHAN SONG HUEI ELECTRIC CO., LTD.

MODEL: 24N4(KC)/CI

Approval



Checked



Projected



UNIT

mm

SCALE

1.5:1

VERSION

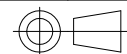
1.1

DATE

2012.08.08

DRAWING NO.

R24N-025



图元整理

何鸿根

2018. 12. 29

ISSUE

SUBJECT

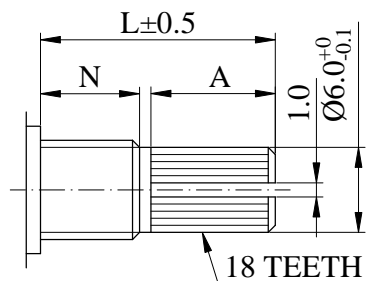
NAME

DATE

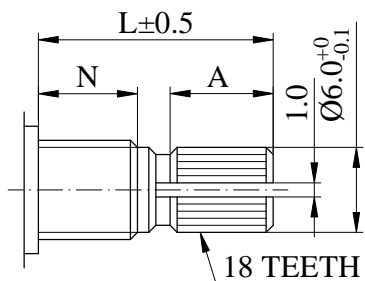
RECORD

Shaft Types 軸型:

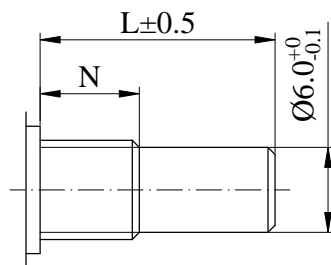
KC/CI-Type



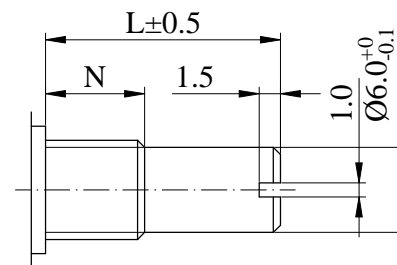
KC-Type



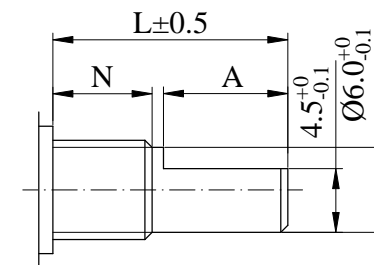
R-Type



RE-Type



F-Type



| N=6.5mm | | | | | | | | | |
|------------|---|-----|-----|-----|------|------|----|----|----|
| Shaft Type | L | 10 | 15 | 17 | 20 | 25 | 30 | 35 | 40 |
| KC | A | 2.2 | 6 | 6 | 10 | 12 | 12 | 12 | 12 |
| | M | 0.5 | 1 | 1 | 2 | 2 | 4 | 4 | 4 |
| KC/CI | A | 1.5 | 6.5 | 8.5 | 11.5 | 16.5 | 19 | | |
| F | F | 2.5 | 7 | 7 | 12 | 12 | 12 | 12 | 12 |
| R,RE | L | 10 | 15 | 17 | 20 | 25 | 30 | 35 | 40 |