



ISO 9001 國際品質認證
ISO 9001 CERTIFICATE

松暉電機工業股份有限公司
SONG HUEI ELECTRIC CO., LTD.
佛山市松暉電機科技有限公司
FOSHAN SONG HUEI ELECTRIC CO., LTD.

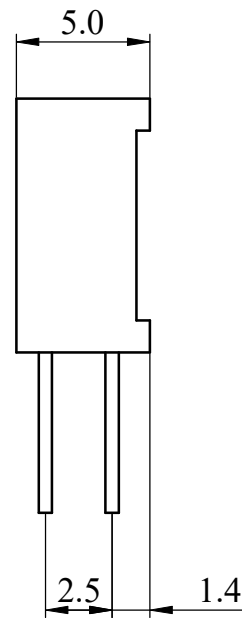
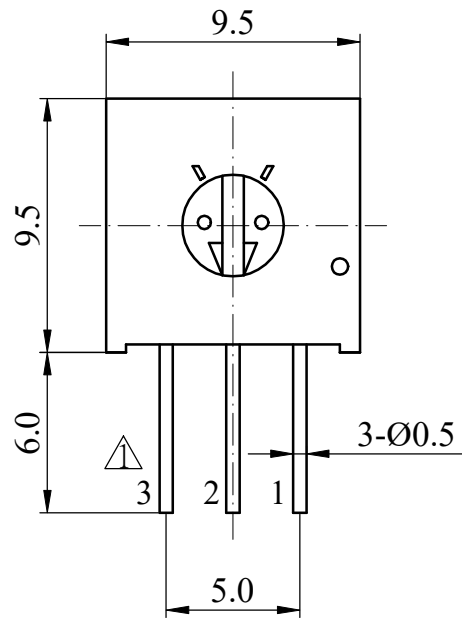
電氣特性 Electrical Characteristics		
總阻值 (R) Total resistance	10 Ω ~ 1 MΩ	
總阻值容許誤差 Total resistance tolerance	± 10 %	
阻值線性 Resistance taper	B	
摺動雜音 Sliding noise	Less than 150 mV	
殘留阻值 Residual resistance	R < 1 KΩ: Less than 10 Ω R ≥ 1 KΩ: Less than 1 % of total resistance value	
定格電力 Rated power (W)	0.5 W / 70 °C ; 0 W / 125 °C	
環境溫度範圍 Temperature range	-55 °C ~ 125 °C 	
額定電壓 Rated voltage (V)	$E = \sqrt{P * R}$ E: Rated voltage 額定電壓 (V) P: Power rating 額定電力 (W) R: Nominal total resistance 公稱全阻抗值 (Ω) 當額定電壓超過最高使用電壓的時候，最高使用電壓即為額定電壓。 When the rated voltage exceeds the maximum operating voltage, the maximum operating voltage shall be the rated voltage.	
最高使用電壓 Max operating voltage	AC 300 V	
絕緣阻抗 Insulation resistance	More than 100 MΩ at DC 500 V	
回轉角度 Adjustable angle	250 ° ± 10 °	
電阻溫度係數 Resistance temperature coefficient	100 ppm / °C	
耐電壓 Withstand voltage	1 minute at AC 600 V	
機械特性 Mechanical Characteristics		
項目 Item	測試條件 Test Conditions	規格 Performance
操作力矩 Rotational torque	-55 °C ~ 125 °C	30 ~ 200 gf.cm
止檔強度 Shaft stopper strength	將主軸轉到起點或終點處，施加力矩 1 Kgf.Cm (0.1 N.m)，保持 15 秒鐘 The shaft shall be rotated to one end or the other end with pull torque 1 Kgf.cm (0.1 N.m) for 15 seconds.	操作部和關聯部沒有變形損壞。 Without deformation or breads in the operating part and contact part.
端子強度 Strength of terminals	於端子尖端各方向施加 500 gf (5 N) 之力，保持 1 秒鐘。 When 500 gf (5 N) are weighted on top of terminal in every direction for 1 seconds.	無端子鬆動損壞，端子基板破裂等。 Loose stable of terminal and damage on stator board should not exist.
焊接性能 Solder ability	焊接溫度：240 ± 5 °C Soldering temperature: 240 ± 5 °C 浸漬時間：3 ± 0.5 seconds Dipping time: 3 ± 0.5 seconds	除切割面外，75 % 以上浸焊部位被焊料覆蓋。 More than 75 % of the dipping part shall be covered by solder, excluding the cutting surface.



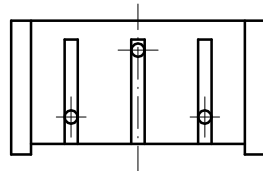
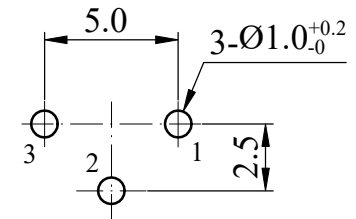
ISO 9001 國際品質認證
ISO 9001 CERTIFICATE

松暉電機工業股份有限公司
SONG HUEI ELECTRIC CO., LTD.
佛山市松暉電機科技有限公司
FOSHAN SONG HUEI ELECTRIC CO., LTD.

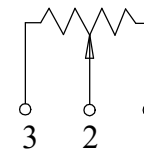
耐焊接 Soldering heat test	260 °C ± 5 °C for DIP soldering in 3 seconds 350 °C ± 5 °C for manual soldering in 3 seconds	無端子鬆動損壞，端子基板破裂等。 Loose stable of terminal and damage on stator board should not exist.
耐氣候性 Weather Performance		
項目 Item	測試條件 Test Conditions	規格 Performance
耐濕度 Humidity test	置於溫度 40 ± 2 °C，溼度 90 ~ 95 % RH，500 小時後，放於正常環境下 1 小時，然後 1 小時內測試。 Testing switch being kept in the conditions at 40 ± 2 °C and 90 ~ 95 % RH for 500 hours in a normal ambient condition for 1 hour. then to be measured within 1 hour.	絕緣電阻在 10 MΩ 以上，DC 500 V，耐壓 AC 600 V 持續 1 分鐘，操作力矩變化在 ± 30 % 之內，各部位無損壞，無機械性能異常。電阻變化 ± 10 % 以內。 Insulation resistance is more than 10 MΩ under DC 500 V, and also withstand voltage AC 600 V for 1 minute. The operating torque shall be within ± 30 % of initial value, and every parts should not defected in appearance and mechanical performance. The resistance change shall be within ± 10 %.
耐熱性 Heat test	置於溫度 125 ± 2 °C，500 小時後，放於正常環境下 1 小時，然後 1 小時內測試。 Testing switch being kept in the conditions at 125 ± 2 °C for 500 hours and then in a normal ambient condition for 1 hour. Then to be measured within 1 hour.	
低溫特性 Cold test	置於溫度 -55 ± 2 °C，500 小時後，放於正常環境下 1 小時，然後 1 小時內測試。 Testing switch being kept in the conditions at -55 ± 2 °C for 500 hours and then in a normal ambient condition for 1 hour. then to be measured within 1 hour.	
耐久性 Durability		
項目 Item	測試條件 Test Conditions	規格 Performance
壽命(無負荷) Life test (Without load)	無負荷狀態連續測試，速度為 6 ~ 10 回 / 分，總次數 200 次。 200 cycles of operation shall be performed continuously at the rate of 6 ~ 10 cycles / minute without load.	絕緣電阻在 10 MΩ 以上，DC 500 V，耐壓 AC 600 V 持續 1 分鐘，操作力矩變化在 ± 30 % 之內，各部位無損壞，無機械性能異常。 Insulation resistance is more than 10 MΩ under DC 500 V, and also withstand voltage AC 600 V for 1 minute. The operating torque shall be within ± 30 % of initial value, and every parts should not defected in appearance and mechanical performance.



Mounting Hole



CIRCUIT



Non notation tolerance	
< 10	±0.3
10 ~ 100	±0.5
> 100	±0.8



SONG HUEI ELECTRIC CO., LTD.
FOSHAN SONG HUEI ELECTRIC CO., LTD.

MODEL: 3386X/0286

Approval



Checked



Drawn



UNIT	mm	SCALE	3:1
VERSION	1.1	DATE	2022.04.28
DRAWING NO.	3362-046		

	修正端子脚位	何鴻根	2022.11.14
ISSUE	SUBJECT	NAME	DATE
RECORD			