



ISO 9001 國際品質認證
ISO 9001 CERTIFICATE

松暉電機工業股份有限公司
SONG HUEI ELECTRIC CO., LTD.
佛山市松暉電機科技有限公司
FOSHAN SONG HUEI ELECTRIC CO., LTD.

一般事項 General

使用溫度範圍 Operating temperature	-30 °C ~ 80 °C
儲存溫度 Storage temperature	-40 °C ~ 85 °C

電氣特性 Electrical Characteristics

額定功率 Power rating	DC 5 V 0.5 mA
絕緣阻抗 Insulation resistance	$\geq 50 \text{ M}\Omega$ at DC 250 V
耐電壓 Withstand voltage	For 1 minute or more (at AC 300 V)

滑動雜訊 Sliding noise	<p>$t_1, t_3 \leq 3 \text{ mS}$, $t_2 \leq 2 \text{ mS}$ (Test conditions 測試條件: $360^\circ / \text{S}$) Using the C / R filter circuit is recommended 建議使用 C / R 濾波電路</p>
-----------------------	--

分解能力 Resolution	6 pulses / 360 ° for each phase 每相 6 脈衝 / 360 °
--------------------	---

相位差 Phase difference	$\Delta T = 0.23 \pm 0.17 \text{ T}$
-------------------------	--------------------------------------

輸出信號和旋轉方向 Output signal and rotational direction	<p>順時針方向 A Signal</p> <p>C.W direction B Signal</p>
---	---

機械特性 Mechanical Characteristics

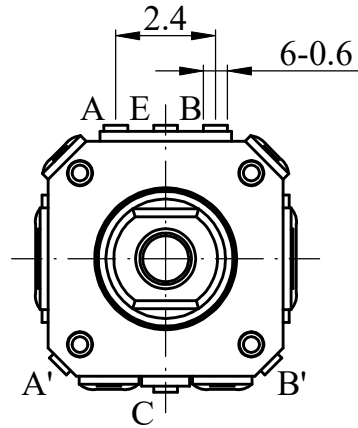
全回轉角度 Total rotational angle	360 °
全回力矩 Rotational torque	10~45gf.cm 过 SMT后: 5~40gf.cm
軸推拉強度 Shaft push-pull strength	3 Kgf max
定位點數及位置 Number and position detent	12 detents (Step angle: $30^\circ \pm 2^\circ$)
軸向間隙 Shaft play in axial direction	0.3 mm max
軸擺動 Shaft wobble	$1 * L / 30 \text{ mm p-p}$ 以下 (L: 指安裝平面到軸的柄端的距離) $1 * L / 30 \text{ mm p-p}$ Max L: Distance between mounting surface and the top of the shaft.
回轉壽命 Rotational life	20,000 cycles at a speed of 600 cycles / per hour 每小時 600 圈的速度測試



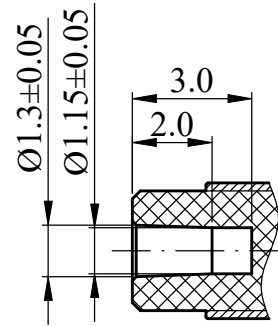
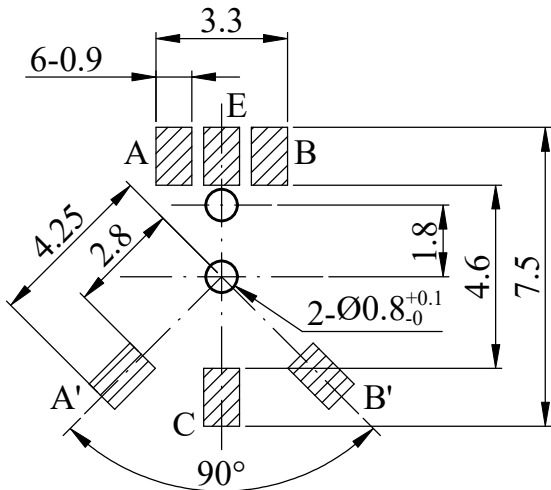
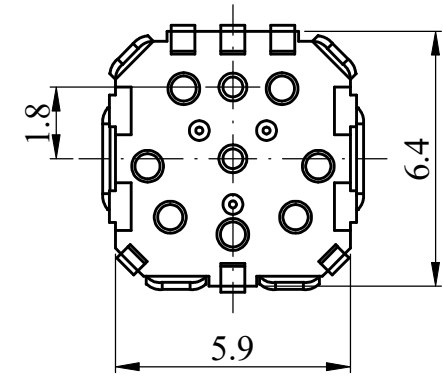
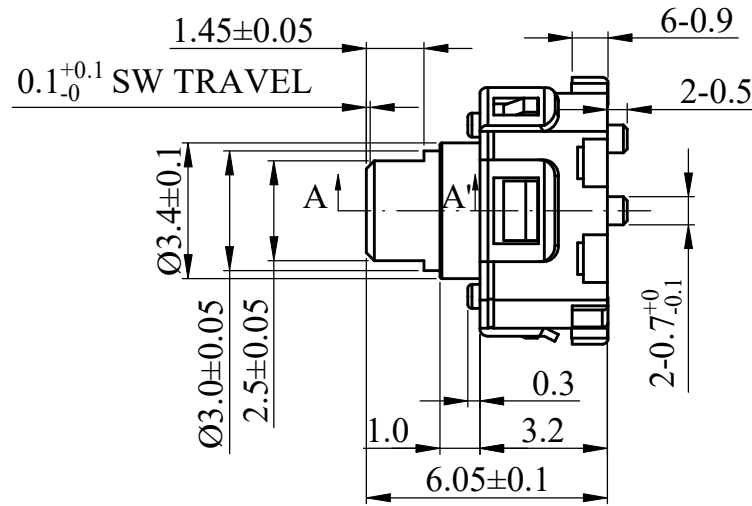
ISO 9001 國際品質認證
ISO 9001 CERTIFICATE

松暉電機工業股份有限公司
SONG HUEI ELECTRIC CO., LTD.
佛山市松暉電機科技有限公司
FOSHAN SONG HUEI ELECTRIC CO., LTD.

焊錫耐熱性 Resistance to soldering heat	預熱:基板表面溫度 180 °C 以下, 時間 2±0.3分 鐘以內, Preating must be finished within 2±0.3 minutes to reach max 180°C of copper foil surface after a PCB is placed a reflow soldering furnance. 焊接溫度250°C以下, 僅允許時間3±1秒以內. Soldering temperature is only allowed within 3+1 seconds at max. 250°C of copper foil surface after preheating. 允許焊錫過程次數1次以下。 Allowable frequency of soldering process 1 time max.
推動開關規格 Push-on Switch Specific Ations	
開關電路 Switch circuit	Single pole and single throw (push on) 單極單投 (推動)
開關工作行程 Switch travel (mm)	0.1+0.1/-0mm
開關作動力 Switch operating force	320 ± 100 gf.cm
開關額定功率 Switch rating power	DC 5 V 10 mA
開關接觸阻抗 Switch contact resistance	第一個週期: 100 mΩ, 在有效的壽命範圍結束後 200 mΩ。 First period 100 mΩ ; 200 mΩ after the end of useful life is reached
開關按壓壽命 Switch push life	20,000 cycles (600 cycles / H, shaft push load 500gf max ; 按壓力 500gf 以下, 600 次 / H)
Note 注明: 當產品無帶開關結構時, 以上推動開關規格整項取消 Note: When product without switch structure, the above switch specifications are cancelled.	

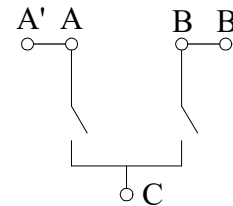


P.C.B LAYOUT

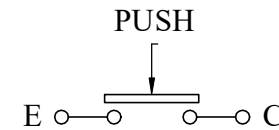


SEC A-A

CIRCUIT



SWITCH



Non notation tolerance	
< 10	±0.3
10 ~ 100	±0.5
> 100	±0.8



SONG HUEI ELECTRIC CO., LTD.
FOSHAN SONG HUEI ELECTRIC CO., LTD.

MODEL: ED0602(6.05F)/0496

Approval



Checked



Projected



UNIT

mm

SCALE

5:1

VERSION

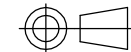
1.1

DATE

2019.10.18

DRAWING NO.

ED-105



△			
△			
△			
△	修正电路图	何鸿根	2019.10.31
ISSUE	SUBJECT	NAME	DATE

RECORD