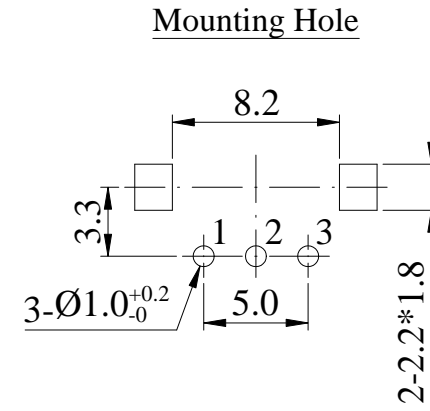
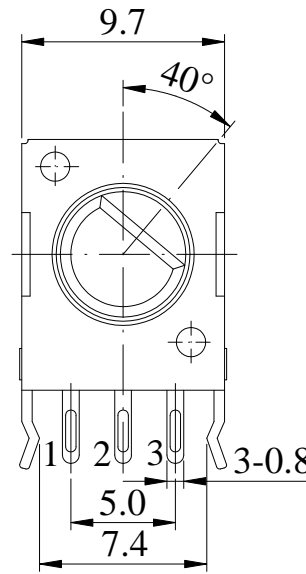
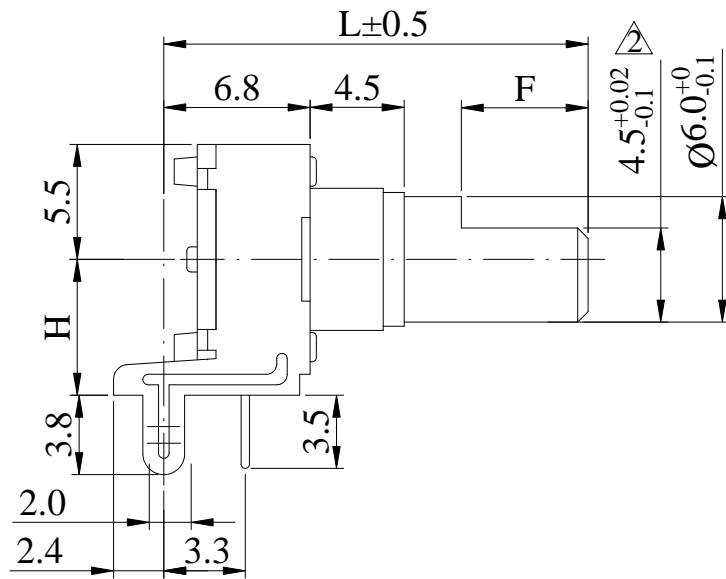




ISO 9001 國際品質認證
ISO 9001 CERTIFICATE

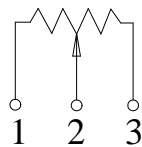
松暉電機工業股份有限公司
SONG HUEI ELECTRIC CO., LTD.
佛山市松暉電機科技有限公司
FOSHAN SONG HUEI ELECTRIC CO., LTD.

一般事項 General	
使用溫度範圍 Operating temperature	-10 °C ~ +70 °C
手工焊接 Manual soldering	300 °C max 3 sec
電氣特性 Electrical Characteristics	
總阻值 (R) Total resistance	500 Ω ~ 1MΩ
總阻值容許誤差 Total resistance tolerance	± 20 % (Less than 500 Ω and More than 1 MΩ ± 30 %)
阻值線性 Resistance taper	A □ B □ C □
摺動雜音 Sliding noise	Less than 80 mV
殘留阻值 Residual resistance	Less than 20 Ω
定格電力 Rated power (W)	0.05 W
額定電壓 Rated voltage (V)	$E = \sqrt{P * R}$ E: Rated voltage 額定電壓 (V) P: Power rating 額定電力 (W) R: Nominal total resistance 公稱全阻抗值 (Ω) 當額定電壓超過最高使用電壓的時候，最高使用電壓即為額定電壓。 When the rated voltage exceeds the maximum operating voltage, the maximum operating voltage shall be the rated voltage.
最高使用電壓 Max operating voltage	AC 50 V DC 20 V
絕緣阻抗 Insulation resistance	More than 100 MΩ at DC 250 V
耐電壓 Withstand voltage	1 minute at AC 250 V
機械特性 Mechanical Characteristics	
全回轉角度 Total rotational angle	280 ° ± 10 °
全回扭力 Rotational torque	10 ~ 80 gf.cm
C.C 扭力 C.C torque	□ 30 ~ 150 gf.cm
全回轉止強度 Rotational stopper strength	3 Kgf.cm max
軸推拉強度 Shaft push-pull strength	5 Kgf max
回轉壽命 Rotational life	15,000 cycles



SHAFT SHOWN IN FULL C.C.W POSITION

CIRCUIT



△4	H=	□6.5	□10	Non notation tolerance				
	L=	15	20	25	30	35	< 10	±0.3
	F=	3.7	7	12	12	12	10 ~ 100	±0.5
	choose						> 100	±0.8



SONG HUEI ELECTRIC CO., LTD.
FOSHAN SONG HUEI ELECTRIC CO., LTD.

MODEL: R0902N(F)

△5	取消H=12.5	何鸿根	2019.06.14
△4	取消PH	何鸿根	2018.12.21
△3	图元整理	何鸿根	2018.04.26
△2	4.5 ⁺⁰ / _{-0.1} 改4.5 ^{+0.02} / _{-0.1}	何鸿根	2017.8.29
ISSUE	SUBJECT	NAME	DATE

Approval



Checked



Projected



UNIT	mm	SCALE	3:1
VERSION	1.5	DATE	2013.01.23
DRAWING NO.	R09N-050		

RECORD

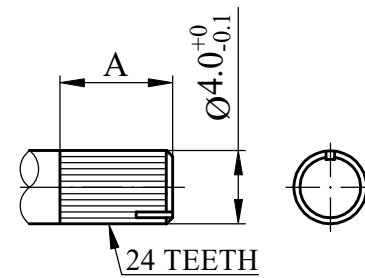
Shaft Types 軸型:

KC-Type



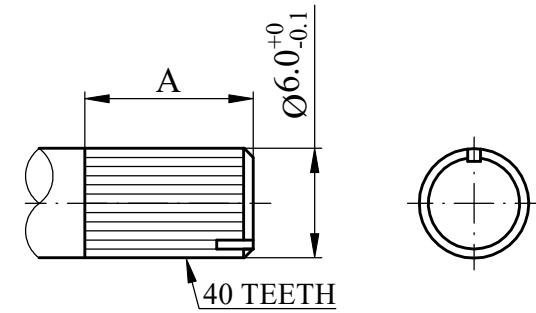
L=	15	20	25	30	35
A=	7	7	7	7	7

KS-Type



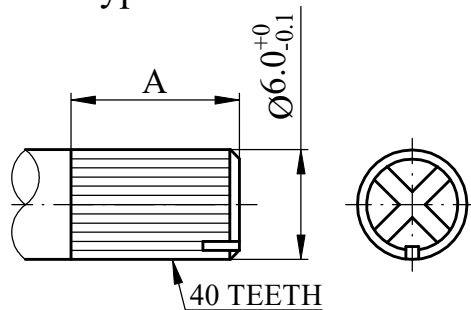
L=	15	20	25
A=	7	7	7

KQ-Type



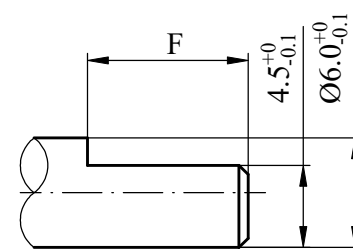
L=	15	20	25	30	35
A=	6	7	7	7	7

KT-Type



L=	9	15	20	25
A=	-	6	7	7

F-Type



L=	15	20	25	30	35
F=	6	7	12	12	12