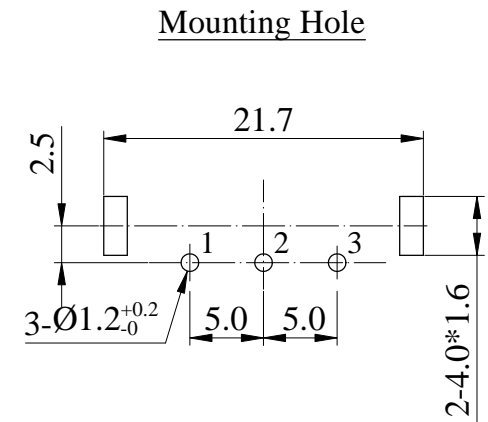
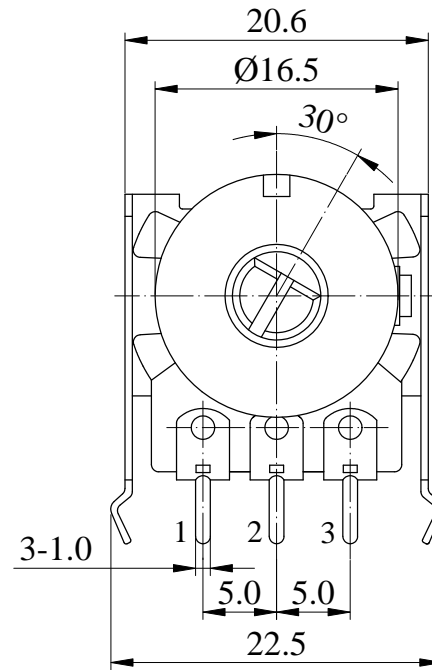
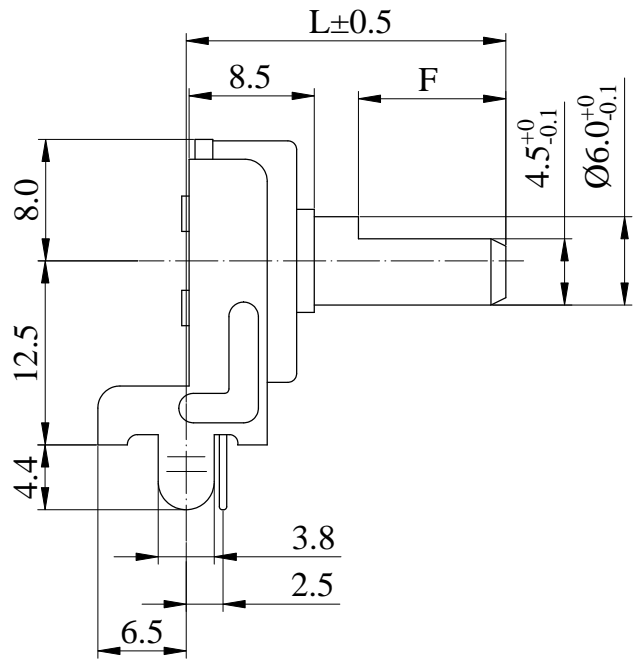




ISO 9001 國際品質認證  
ISO 9001 CERTIFICATE

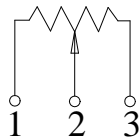
松暉電機工業股份有限公司  
SONG HUEI ELECTRIC CO., LTD.  
佛山市松暉電機科技有限公司  
FOSHAN SONG HUEI ELECTRIC CO., LTD.

| 一般事項 General                          |   |
|---------------------------------------|---|
| 使用溫度範圍<br>Operating temperature       | -10 °C ~ +70 °C   |
| 手工焊接<br>Manual soldering              | 300 °C max 3 sec  |
| 電氣特性 Electrical Characteristics       |   |
| 總阻值 (R)<br>Total resistance           | 1 KΩ ~ 2 MΩ   |
| 總阻值容許誤差<br>Total resistance tolerance | ± 20 % ( More than 1 MΩ ± 30 % )  |
| 阻值線性<br>Resistance taper              | <input type="checkbox"/> A <input type="checkbox"/> B <input type="checkbox"/> C <input type="checkbox"/> D <input type="checkbox"/> W  |
| 摺動雜音<br>Sliding noise                 | Less than 100 mV  |
| 殘留阻值<br>Residual resistance           | Less than 20 Ω  |
| 定格電力<br>Rated power (W)               | Linear (B) taper: 0.1 W<br>Other tapers: 0.05 W   |
| 額定電壓<br>Rated voltage (V)             | $E = \sqrt{P * R}$ E: Rated voltage 額定電壓 (V)<br>P: Power rating 額定電力 (W)<br>R: Nominal total resistance 公稱全阻抗值 (Ω)<br>當額定電壓超過最高使用電壓的時候，最高使用電壓即為額定電壓。<br>When the rated voltage exceeds the maximum operating voltage, the maximum operating voltage shall be the rated voltage. |
| 最高使用電壓<br>Max operating voltage       | Linear (B) taper: AC 100 V<br>Other tapers: AC 50 V   |
| 絕緣阻抗<br>Insulation resistance         | More than 100 MΩ at DC 250 V  |
| 耐電壓<br>Withstand voltage              | 1 minute at AC 250 V  |
| 機械特性 Mechanical Characteristics       |   |
| 全回轉角度<br>Total rotational angle       | 300 ° ± 5 °   |
| 全回扭力<br>Rotational torque             | 30 ~ 250 gf.cm  |
| C.C 扭力<br>C.C torque                  | <input type="checkbox"/> 50 ~ 300 gf.cm   |
| 全回轉止強度<br>Rotational stopper strength | 6 Kgf.cm max  |
| 軸推拉強度<br>Shaft push-pull strength     | 8 Kgf max   |
| 回轉壽命<br>Rotational life               | 15,000 cycles   |



SHAFT SHOWN IN FULL C.C.W POSITION

CIRCUIT



Non notation tolerance

|        |      |      |      |      |          |      |
|--------|------|------|------|------|----------|------|
| L=     | 18.5 | 23.5 | 28.5 | 33.5 | < 10     | ±0.3 |
| F=     | 7    | 12   | 12   | 12   | 10 ~ 100 | ±0.5 |
| choose |      |      |      |      | > 100    | ±0.8 |



SONG HUEI ELECTRIC CO., LTD.  
FOSHAN SONG HUEI ELECTRIC CO., LTD.

MODEL: R1616N(F)/PH

Approval



Checked



Projected



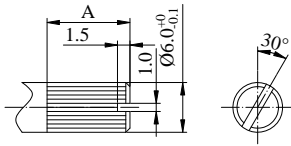
|             |            |       |            |
|-------------|------------|-------|------------|
| UNIT        | mm         | SCALE | 2:1        |
| VERSION     | 1.1        | DATE  | 2009.06.26 |
| DRAWING NO. | R-161N-010 |       |            |

|       |         |      |            |
|-------|---------|------|------------|
| ④     |         |      |            |
| ③     |         |      |            |
| ②     |         |      |            |
| ①     | 图元整理    | 何鸿根  | 2018.12.28 |
| ISSUE | SUBJECT | NAME | DATE       |

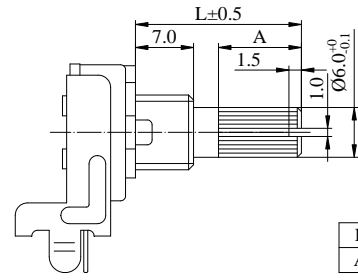
RECORD

# Shaft Types 軸型:

KC Type (18 teeth)

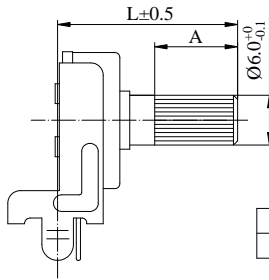


Horizontal with bushing



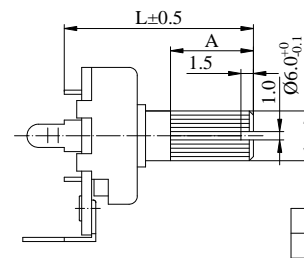
|   |    |    |    |
|---|----|----|----|
| L | 20 | 25 | 30 |
| A | 12 | 12 | 12 |

Horizontal



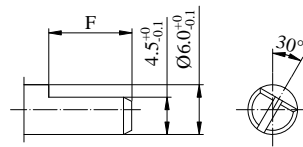
|   |      |      |      |      |
|---|------|------|------|------|
| L | 18.5 | 23.5 | 28.5 | 33.5 |
| A | 7    | 12   | 12   | 12   |

Vertical

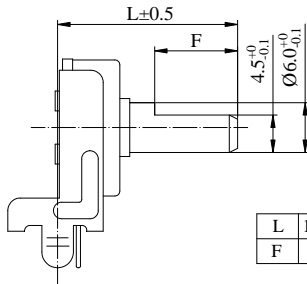


|   |    |    |    |
|---|----|----|----|
| L | 20 | 25 | 30 |
| A | 7  | 12 | 12 |

F Type

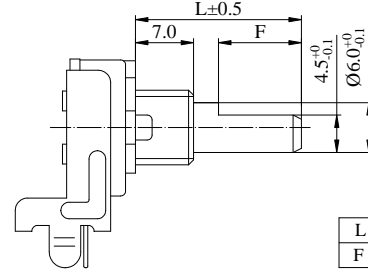


Horizontal



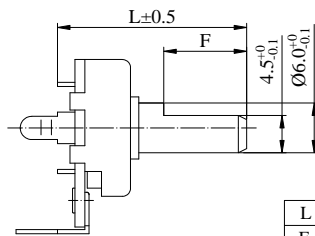
|   |      |      |      |      |
|---|------|------|------|------|
| L | 18.5 | 23.5 | 28.5 | 33.5 |
| F | 7    | 12   | 12   | 12   |

Horizontal with bushing



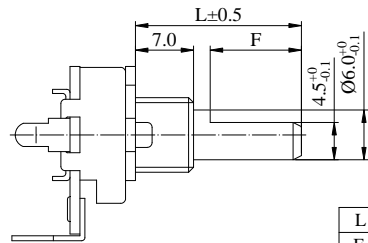
|   |    |    |    |
|---|----|----|----|
| L | 20 | 25 | 30 |
| F | 12 | 12 | 12 |

Vertical



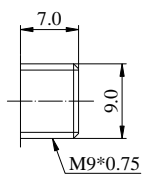
|   |    |    |    |
|---|----|----|----|
| L | 20 | 25 | 30 |
| F | 7  | 12 | 12 |

Vertical with bushing



|   |    |    |    |
|---|----|----|----|
| L | 20 | 25 | 30 |
| F | 7  | 12 | 12 |

Bushing Dimension



Stopper Dimension

