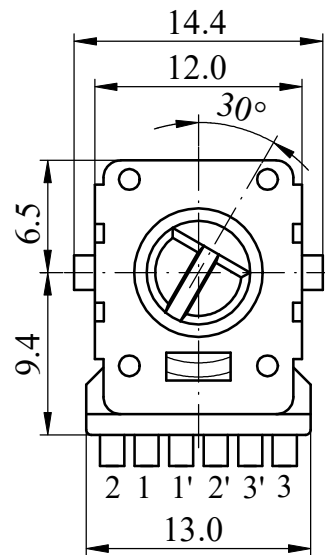
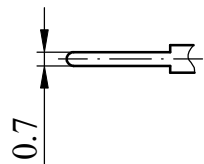
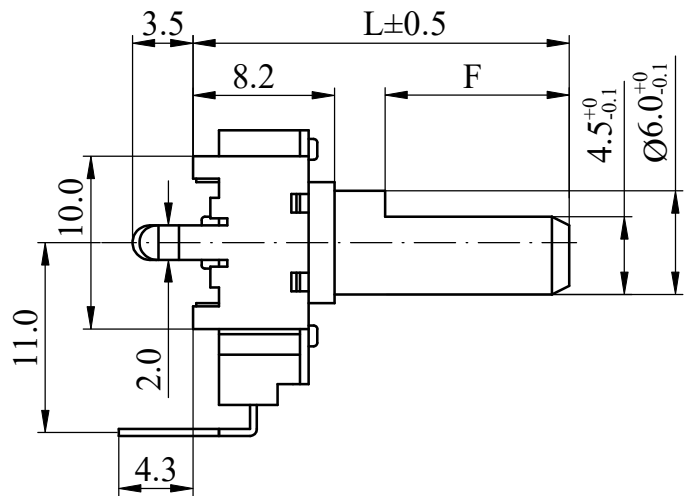




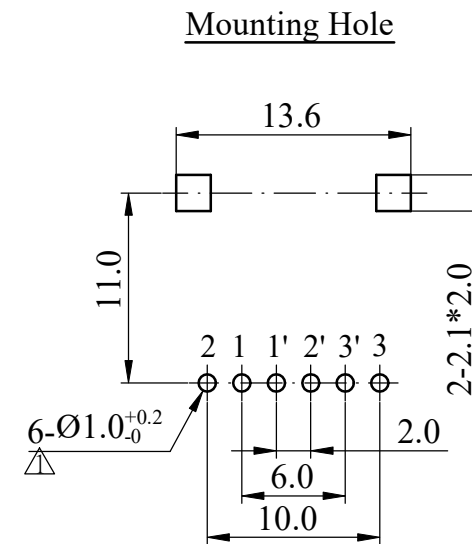
ISO 9001 國際品質認證  
ISO 9001 CERTIFICATE

松暉電機工業股份有限公司  
SONG HUEI ELECTRIC CO., LTD.  
佛山市松暉電機科技有限公司  
FOSHAN SONG HUEI ELECTRIC CO., LTD.

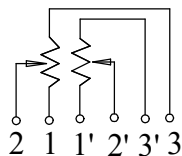
一般事項 General	
使用溫度範圍 Operating temperature	-10 °C ~ +70 °C
手工焊接 Manual soldering	300 °C max 3 sec
電氣特性 Electrical Characteristics	
總阻值 (R) Total resistance	5 KΩ ~ 1MΩ
總阻值容許誤差 Total resistance tolerance	± 20 % ( More than 1 MΩ ± 30 % )
阻值線性 Resistance taper	A □ B □ C □
摺動雜音 Sliding noise	Less than 80 mV
殘留阻值 Residual resistance	Less than 20 Ω
定格電力 Rated power (W)	0.05 W
額定電壓 Rated voltage (V)	$E = \sqrt{P * R}$ E: Rated voltage 額定電壓 (V) P: Power rating 額定電力 (W) R: Nominal total resistance 公稱全阻抗值 (Ω) 當額定電壓超過最高使用電壓的時候，最高使用電壓即為額定電壓。 When the rated voltage exceeds the maximum operating voltage, the maximum operating voltage shall be the rated voltage.
最高使用電壓 Max operating voltage	AC 30 V ( for AC only )
絕緣阻抗 Insulation resistance	More than 100 MΩ at DC 250 V
耐電壓 Withstand voltage	1 minute at AC 300 V
相互偏差 Gang error	Linear (B) taper: -20 dB ~ 0 dB ≤ 3 dB A / C other tapers: -40 dB ~ 0 dB ≤ 3 dB
機械特性 Mechanical Characteristics	
全回轉角度 Total rotational angle	300 ° ± 5 °
全回扭力 Rotational torque	15 ~ 150 gf.cm
C.C 扭力 C.C torque	□ 50 ~ 150 gf.cm
全回轉止強度 Rotational stopper strength	Without bushing: 5 Kgf.cm max With bushing: 6 Kgf.cm max
軸推拉強度 Shaft push-pull strength	8 Kgf max
回轉壽命 Rotational life	15,000 cycles



SHAFT SHOWN IN FULL C.C.W POSITION



CIRCUIT



								Non notation tolerance	
L=	15	20	22.5	25	27.5	30	32.5	< 10	±0.3
F=	4.5	7	7	12	12	12	12	10 ~ 100	±0.5
choose								> 100	±0.8

**S**® SONG HUEI ELECTRIC CO., LTD.  
FOSHAN SONG HUEI ELECTRIC CO., LTD.

MODEL: RK1109G(F)



图元整理

增加公差<sup>+0.2</sup><sub>0</sub>

ISSUE SUBJECT

何鸿根 2018.12.24

邝俊华 2016.6.06

NAME DATE

RECORD

Approval



Checked



Projected



UNIT

mm

SCALE

3:1

VERSION

1.2

DATE

2008.01.03

DRAWING NO.

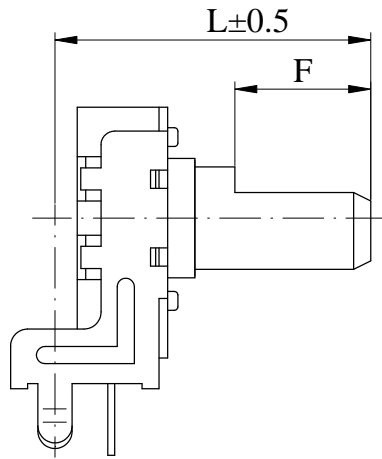
R11G-017



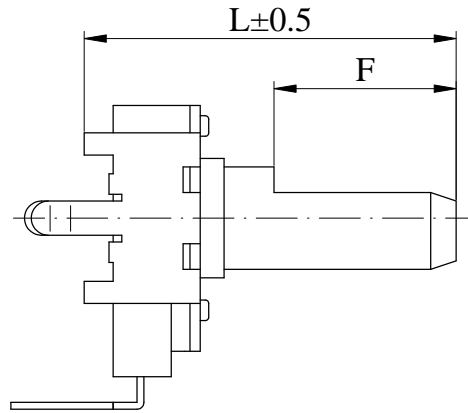
RECORD

# Shaft Types 軸型:

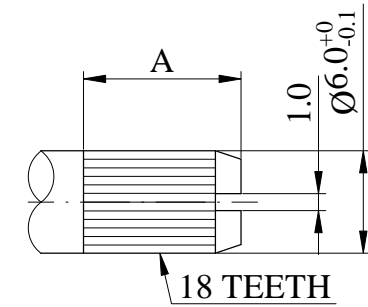
## Horizontal



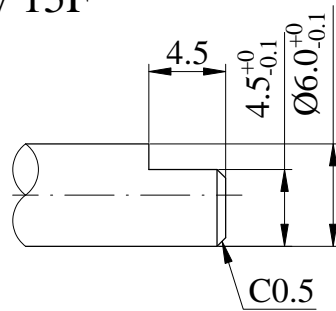
## Vertical



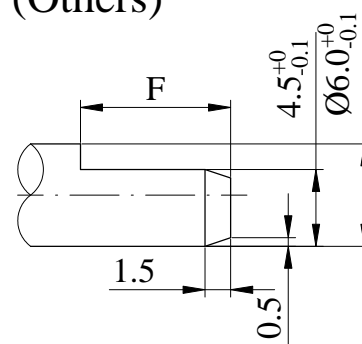
## KC Type



## Only 15F



## F Type (Others)



## KC Type

L=	15	20	22.5	25	27.5	30	32.5
A=	4.5	7	12	12	12	12	12

## F Type

L=	15	20	22.5	25	27.5	30	32.5
F=	4.5	7	7	12	12	12	12